

# POWER MONITORING & PROTECTION



## SOLID AND SPLIT CORE AC CURRENT TRANSDUCERS CX-, SCX-VFD SERIES

### DESCRIPTION

The **CX-, SCX-VFD Series** current transducers monitor line current for electrical loads such as pumps, conveyors, machine tools, or fans and output an analog signal to represent the load current. The **CX-, SCX-VFD Series** is loop-powered and requires 15 to 30 VDC to power the device.

The **CX-, SCX-VFD Series** features True RMS current measurement suitable to measure complex waveforms such as those found in VFD controlled loads. They are also suitable for accurate measurement of phase angled controlled or time proportional SCR controlled load currents. The **CX-, SCX-VFD Series** current transducers contain a precision RMS-to-DC converter circuit which will measure load current accurately for complex, distorted or noisy waveforms as opposed to "average reading" devices that will only accurately measure pure sine waveforms.

### FEATURES

- True RMS for complex waves
- Input / output isolation via current transformer
- Solid-state reliability
- Small compact size
- Solid, reliable mounting method



CX420150-VFD



SCX420150



POWER MONITORING & PROTECTION

15

SPECIFICATIONS	
<b>Supply Voltage</b>	15 to 30 VDC (loop-powered)
<b>Frequency</b>	20-400 Hz
<b>Measurement Range</b>	
<b>CX-, SCX42002-VFD</b>	0-2 Amps
<b>CX-, SCX42005-VFD</b>	0-5 Amps
<b>CX-, SCX42050-VFD</b>	0-10/20/50 Amps - jumper selectable
<b>CX-, SCX420150-VFD</b>	0-50/100/150 Amps - jumper selectable
<b>CX-, SCX420200-VFD</b>	0-200 Amps
<b>Maximum Current Draw</b>	
<b>CX-, SCX42002-VFD</b>	10 Amps Continuous
<b>CX-, SCX42005-VFD</b>	15 Amps Continuous
<b>CX-, SCX42050-VFD</b>	100 Amps Continuous
<b>CX-, SCX420150-VFD</b>	150 Amps Continuous
<b>CX-, SCX420200-VFD</b>	200 Amps Continuous
<b>Accuracy</b>	± 2% FSO (5-100% of range)
<b>Signal Output</b>	4-20 mA @ 250Ω
<b>Insulation Class</b>	600 VAC, insulated conductors
<b>Response Time</b>	500 mS typical, 0-90%
<b>Operating Temperature</b>	5° to 122°F (-15° to 50°C)
<b>Operating Humidity</b>	5-90% RH, non-condensing
<b>Enclosure Material</b>	ABS/PC, UL94 V-0
<b>Terminal Block</b>	14 to 22 AWG
<b>Dimensions</b>	2.6" x 2.65" x 0.98" (6.6 x 6.73 x 2.49 cm)
<b>Sensor Size</b>	0.8" (2.03 cm)
<b>Approvals</b>	UL File #E339785, RoHS, ISO9001, CE
<b>Warranty</b>	1 year

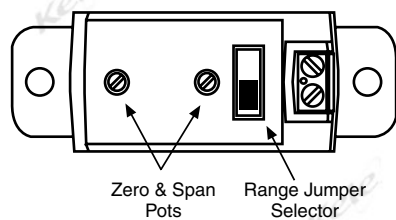
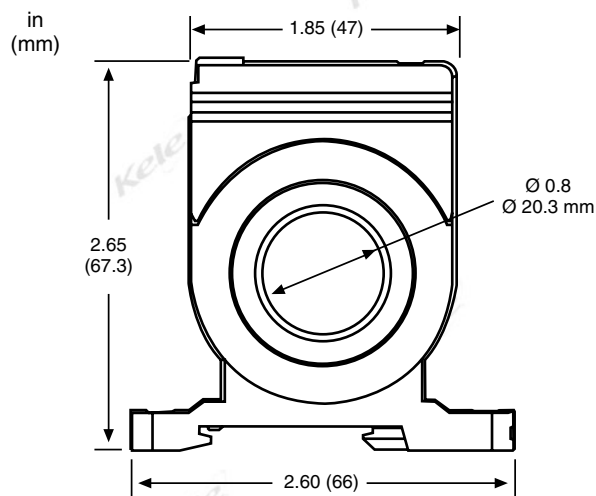


# POWER MONITORING & PROTECTION

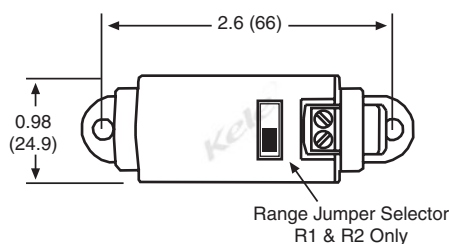
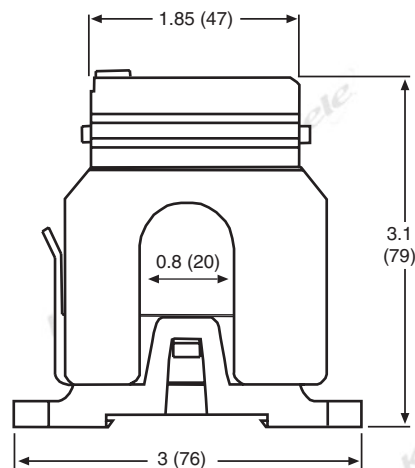
## SOLID AND SPLIT CORE AC CURRENT TRANSDUCERS

### CX-, SCX-VFD SERIES

#### DIMENSIONS



**NOTE:** The range switch/jumper is not applicable for models with 1 fixed range.



POWER MONITORING & PROTECTION

15

#### ORDERING INFORMATION

MODEL	DESCRIPTION
<b>CX42002-VFD</b>	AC solid core current transducer, 0-2 Amps range, 10 Amps continuous max., 4-20 mA
<b>CX42005-VFD</b>	AC solid core current transducer, 0-5 Amps range, 15 Amps continuous max., 4-20 mA
<b>CX42050-VFD</b>	AC solid core current transducer, 0-10/20/50 Amps selectable range, 100 Amps continuous max., 4-20 mA
<b>CX420150-VFD</b>	AC solid core current transducer, 0-50/100/150 Amps selectable range, 150 Amps continuous max., 4-20 mA
<b>CX420200-VFD</b>	AC solid core current transducer, 0-200 Amps range, 200 Amps continuous max., 4-20 mA
<b>SCX42002-VFD</b>	AC split core current transducer, 0-2 Amps range, 10 Amps continuous max., 4-20 mA
<b>SCX42005-VFD</b>	AC split core current transducer, 0-5 Amps range, 15 Amps continuous max., 4-20 mA
<b>SCX42050-VFD</b>	AC split core current transducer, 0-10/20/50 Amps selectable range, 100 Amps continuous max., 4-20 mA
<b>SCX420150-VFD</b>	AC split core current transducer, 0-50/100/150 Amps selectable range, 150 Amps continuous max., 4-20 mA
<b>SCX420200-VFD</b>	AC split core current transducer, 0-200 Amps range, 200 Amps continuous max., 4-20 mA